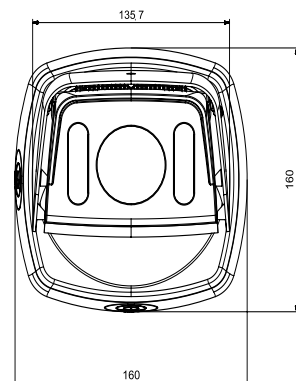
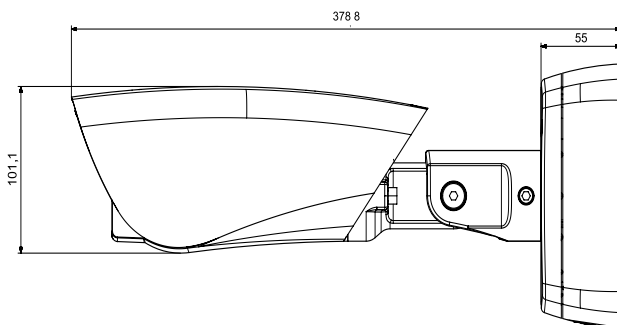


Kiara HT

Pro-View



KIARA HT is a full-featured **bullet camera** designed to withstand **high-temperature environments**. KIARA HT balances internal temperature, humidity and pressure. Available in **2 MP and 5 MP versions**, KIARA HT is characterized by its robust **IP68 and IK10 rated housing**, ideal for a multitude of purposes. **ONVIF S and T profiles** compliance makes integration in third-party solutions easy.



Camera Features

Camera Model	KIARA 2000	KIARA 5000
Camera Code	SR-C-S2-KIARA-V12(V22)-IR	SR-C-S5-KIARA-V10-IR
Image sensor	Exmor™ Starvis™ CMOS progressive Scan 1/2,8"	Exmor™ Starvis™ CMOS progressive Scan 1/1,8"
Electronic shutter	1/2s – 1/30000s	
Min. illumination	0.001 lux @ F1.4 (color) 0.0001Lux @ F1.4 (B/W)	0.05 lux @ F1.5 (color) 0.005 lux @ F.1.5 (B/W)
Lens	2.8-12mm, F1.4 (7-22mm) FOV: 33° - 104° (14° - 43°)	3.6-10mm, F1.5 FOV: 38° - 85°
	Varifocal, Autofocus, Focus and remote zoom, P-Iris, IR Correction	

Video

Camera Model	KIARA 2000	KIARA 5000
Day & Night	IR Correction, Removable IR cut filter Adaptive IR light (up to 50 mt)	
Video Compression	H.265, H.264 high/main/basic profile, Motion JPEG	
Image Resolution	Up to 1920x1080	Up to 2560x1920
Frame rate	Up to 60 fps (WDR off) Up to 30 fps (WDR on)	Up to 60 fps (with 2MP 1980X1080 resolution)
Video Bitrate	256 Kbps - 30Mbps	
WDR	120 dB	120 dB
Streaming protocol	RTSP/HTTP, RTSP/TCP, RTSP/UDP, Unicast, Multicast	
Streaming mode	Multiple streams individually configurable, configuration of frame rate and bandwidth	
Image setting	3D Denoise, Brightness, Color, Sharpness, White Balance, Compression, Exposure control (auto/manual), Privacy masks, ROI, Defog, Image Flip and Mirror, 90° and 270° Image Rotation, Text overlay	

Network

Security	Password protection, HTTPS encryption, digest authentication, IP filtering, Lock on login fails
Network protocols	IPv4, IPv6, DHCP, DNS, DDNS, NTP, UPnP, Bonjour, Ping, SMB/CIFS, NFS, HTTP, HTTPS, RTP, RTSP, TCP, UDP, SSH
ONVIF	Profile S, Profile T

Audio

Audio	Two-way full duplex
Audio compression	G.711 U law, a law, g.726, AMR
Audio connectors	Line-IN, Line-OUT

System integration

Analytics	Tripwire detection, perimeter detection, tampering detection, people density, motion detection, audio detection
Events	Video Analytics Events, I/O Alarms, Network Link Down, Periodical Events
Events actions	HTTP/HTTPS/FTP file upload, Email notification, Video recording, Snapshot, I/O notification
Built-in installation	Remote Focus and Zoom, Auxiliary wi-fi 802.11 b/g/n connection
Data streaming	Stream Video, Events metadata

General

Size	379x101x136 mm
Weight	2.5 Kg
Housing	Diecast aluminium, Plastic, Polycarbonate
Ingress protection	IK10
Impact protection	IP68
Protective vent	IP68, high permeability
Memory	RAM 512MB, Flash 32MB
Network connector	10/100 RJ45 PoE
I/O	2 Optoisolated (3KV) Digital Inputs, 1 Digital Output Relais (24VDC 2A)
Power	PoE IEEE 802.3 af 12Vdc 25W
Serial communication	RS485 Half duplex
Power source connector	Terminal Block
Operating temperature	-40°C, +70°C Protection in case of overheating
Min. Booting temperature	-20°C
Compliance	EN 55032 (2015-07) EN 55024 (2010-11) +A1 (2013) EN 50130-4 (2011-06) + A1 (2014)
Language	Italian, English, more on request

UNICA backplate

Edge storage	MicroSD/SDHC up to 128GB
Installation	SPARK fastlock
Recovery	Embedded EEPROM
Wall mount	UNICA

