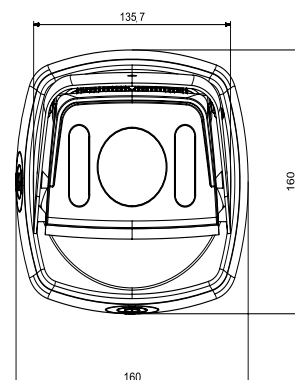
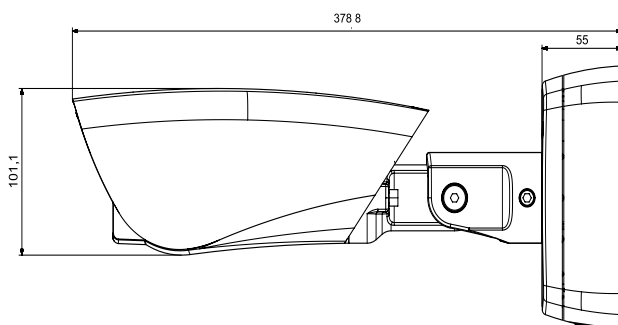




Kiara Pro-View



KIARA is a full-featured bullet camera, characterized by its robust housing. Designed to withstand the most hostile of environments, KIARA is equipped with a passive ventilation system and a Goretex[®] valve, enabling the balance of internal temperature, humidity and pressure. KIARA combines modern functional designs and technical features, making it ideal for multitude of purposes, including resorts, stadiums and airports. **ONVIF** compliance makes integration in third-party solutions easy.



Cameras features

Camera type	KIARA 2000	KIARA 5000	KIARA 8000
Product code	SR-C-S2-KIARA-V12-IR	SR-C-S5-KIARA-V10-IR	SR-C-S8-KIARA-V10-IR
Image sensor	Exmor™ Starvis™ CMOS Progressive Scan 1/2.8"	Exmor™ Starvis™ CMOS Progressive Scan 1/1.8"	Exmor™ Starvis™ CMOS Progressive Scan 1/2.5"
Lens	Motorized 2.8-12mm, F1.4 Smart Focus, P-Iris FOV: 33°-104°	Motorized 3.6-10mm, F1.5 Smart Focus, P-Iris FOV: 38°-85°	Motorized 3.3-10mm, F1.3 Smart Focus, P-Iris FOV: 38°-95°
Lens Variant	Motorized 7-22mm, F1.4 Smart Focus, P-Iris FOV: 14°-43°		
Lens VARIANT CODE	SR-C-S2-KIARA-V22-IR		
Min. illumination	0.001 Lux @ F1.4 (Color) 0.0001 Lux @ F1.4 (B/W)	0.05 Lux @ F1.5 (color) 0.005 Lux @ F1.5 (B/W)	0.1 Lux @ F1.3 (color) 0.01 Lux @ F1.3 (B/W)
Electronic shutter	1/2-1/30000s		
Day & Night	Removable IR cut filter, Light sensor		
IR illumination	Up to 50m Adaptive IR		
Night color Variant	Light illuminator		
Night color VARIANT CODE	SR-C-S2-KIARA-V12-WL	SR-C-S5-KIARA-V10-WL	SR-C-S8-KIARA-V10-WL

Video

	KIARA 2000	KIARA 5000	KIARA 8000
Video compression	H.265, H.264, MJPEG		
Resolution	Up to 1920x1080	Up to 2560x1920	Up to 3840 x 2160
Frame rate	Up to 60 fps (WDR off) Up to 30 fps (WDR on)	Up to 30 fps	Up to 30 fps
Bitrate Video	32Kbps-40Mbps		
WDR	120 dB	100 dB	100 dB
Streaming protocol	RTP/HTTP, RTP/TCP, RTP/UDP, Multicast, Unicast, RTSP		
Streaming mode	More video streams individually configurable frame rate and wide bandwidth controllable		
Image settings	3D Denoise, Brightness, Color, Sharpness, White balance, Compression, Exposure control, Manual shutter time, Privacy masks, ROI, Defog, Flip, Mirroring of images, Rotation: 90°, 270°, Text and image overlay		

Network

Security	Password protection , HTTPS encryption
Network protocols	ARP, DHCP, DNS, FTP, HTTP, HTTPS, ICMP, IPv4, IPv6, NTP, ONVIF Profile S, RTCP, RTSP, SMTP, TCP, UDP, DYNDNS, Bonjour, UPnP

Audio

Audio	Two-way full duplex
Audio compression	G.711 U law, a law, G.726, AMR
Audio connectors	Line input, line output

System integration

Analytics	Tripwire detection, perimeter detection, tampering detection, people density
Event triggers	Motion detection, audio detection, network link down, event planning
Event actions	File upload: ftp, sftp, http, https, network share and email Notification: email, http, https, tcp, snmp trap, external output activation
Built-in installation	Auxiliary wifi connection configuration (device mode)
Data streaming	Video stream, event data

General

Dimension	379x101x136mm
Weight	2500g
Housing	Diecast aluminium, Plastic, Polycarbonate
Ingress protection	IP68
Impact resistant	IK10
Electromagnetic protection	EMC
Anti condensation valve	GoreTex®
Network connector	10/100 RJ45 PoE
I/O	2 input, 1 output
Serial connector	RS485
Power	PoE IEEE 802.3af, 12V DC, 2.5 to 12.5W Terminal block
Operating temperature	-40°C-60°C (above 45°C, IR might turn off to protect device from overheating)
Language	Italian, English more language packs on request

UNICA

Edge storage	MicroSD/SDHC/SDXC up to 128GB
Event actions	Video recording to edge storage
Installation method	SPARK fastlock
System recovery	Embedded EEPROM
Wall mount	UNICA



SPARK
VIA ANTONIO GRAMSCI, 86/A
42124 REGGIO EMILIA
P. +39.0522.1715150
F. +39.0522.1715151

P. IVA/C.F. 02542850355
R.E.A. di RE n. 291049
www.spark-security.com
info@spark-security.com

© 2013 - 2018 SPARK. All rights reserved. Unless expressly permitted in writing, no license is granted in relation to any copyright, industrial design, trademark, patent or other intellectual property rights of SPARK or its licensors. The information contained in this document may change without notice. document may change without notice.